



TREATMENT PERFORMANCE RESULTS

Initial type test performed by **KLARO GmbH**
Distributed by **Wastewater Solutions**
Spitzwegstraße 63, 95447 Bayreuth, Germany

EN 12566-3 Annex B
Results corresponding to EN 12566-3 and S.R. 66
PIA-SR66-2103-1017, shared itt

KLARO One
Fully aerated sequence batch system (initial type test) in combination
with Graf Carat RS tanks

Nominal organic daily load	0.27 kg/d		
Nominal hydraulic daily load	0.75 m ³ /d		
Treatment efficiency (nominal sequences)		Efficiency	Effluent
	COD	94.8 %	41 mg/l
	BOD ₅	98.1 %	7 mg/l
	NH ₄ -N	98.5 %	0.5 mg/l
	SS	96.6 %	14 mg/l
Number of desludging	Not more than once		
Electrical consumption	0.63 kWh/d		

Performance tested by:

PIA – Prüfinstitut für Abwassertechnik GmbH
(PIA GmbH)
Hergenrather Weg 30
52074 Aachen, Germany

This document replaces neither the declaration
of performance nor the CE marking.

Notified Body No.: 1739
Certified according to ISO 9001:2015

PIA - Sustainable Certification

geprüft - tested - teste

Martina Wermter

April 2021



TREATMENT PERFORMANCE RESULTS

Initial type test performed by **Otto Graf GmbH**
Carl-Zeiss-Str. 2-6, 79331 Teningen, Germany

EN 12566-3 Annex A and C

Results corresponding to EN 12566-3 and S.R. 66

PIA-SR66-2103-1017, shared itt

Graf Carat RS

Graf Carat RS tanks in combination with treatment kit KLARO One (fully aerated sequence batch system)

Material	Polypropylene
Watertightness	Pass
Structural behaviour (calculation)	Pass (also wet conditions)
Durability	Pass

Performance tested by:

PIA – Prüfinstitut für Abwassertechnik GmbH
(PIA GmbH)
Hergenrather Weg 30
52074 Aachen, Germany

This document replaces neither the declaration of performance nor the CE marking.

Notified Body
No.: 1739

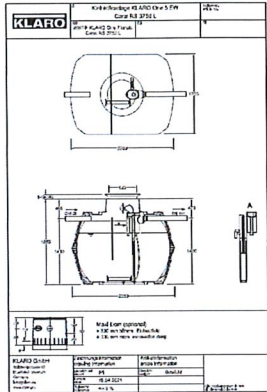
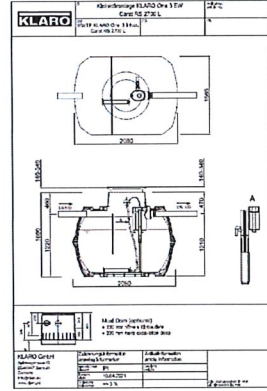
Certified according to
ISO 9001:2015

PIA - Sustainable Certification
D. Schmitz
geprüft - tested - teste

Daniela Schmitz

April 2021

KLARO One range shared ITT and its referring test reports:

Population equivalent (PE)	Drawing of model of the range	Watertightness (EN 12566-3 Annex A)	Treatment Efficiency (EN 12566-3 Annex B)	Structural Behaviour (EN 12566-3 Annex C)	Durability (EN 12566-3)
Initial Type Test (ITT) 5		Pass PIA2021-WD-2101-1002	KLARO One: Pass PIA2014-216B14.02	Pass PIA2016-ST-PIT-1509-1050.01 For wet ground conditions also, installation depth 1.68 m from inlet invert	Pass PIA2016-DH-1509-1050.01
3		Pass PIA2021-WD-2101-1002	Pass Range conformity according to S.R. 66:2015	Pass PIA2016-ST-PIT-1509-1050.01 For wet ground conditions also, installation depth 1.68 m from inlet invert	Pass PIA2016-DH-1509-1050.01

Population equivalent (PE)	Drawing of model of the range	Watertightness (EN 12566-3 Annex A)	Treatment Efficiency (EN 12566-3 Annex B)	Structural Behaviour (EN 12566-3 Annex C)	Durability (EN 12566-3)
7		<p>Pass</p> <p>PIA2021-WD-2101-1002</p>	<p>Pass</p> <p>Range conformity according to S.R. 66:2015</p>	<p>Pass</p> <p>PIA2016-ST-PIT-1509-1050.01</p> <p>For wet ground conditions also, installation depth 1.68 m from inlet invert</p>	<p>Pass</p> <p>PIA2016-DH-1509-1050.01</p>
7		<p>Pass</p> <p>PIA2021-WD-2101-1002</p>	<p>Pass</p> <p>Range conformity according to S.R. 66:2015</p>	<p>Pass</p> <p>PIA2016-ST-PIT-1509-1050.01</p> <p>For wet ground conditions also, installation depth 1.68 m from inlet invert</p>	<p>Pass</p> <p>PIA2016-DH-1509-1050.01</p>
9		<p>Pass</p> <p>PIA2016-WD-1509-1050.01</p>	<p>Pass</p> <p>Range conformity according to S.R. 66:2015</p>	<p>Pass</p> <p>PIA2016-ST-PIT-1509-1050.01</p> <p>For wet ground conditions also, installation depth 1.68 m from inlet invert</p>	<p>Pass</p> <p>PIA2016-DH-1509-1050.01</p>

Population equivalent (PE)	Drawing of model of the range	Watertightness (EN 12566-3 Annex A)	Treatment Efficiency (EN 12566-3 Annex B)	Structural Behaviour (EN 12566-3 Annex C)	Durability (EN 12566-3)
10		<p>Pass</p> <p>PIA2021-WD-2101-1002</p>	<p>Pass</p> <p>Range conformity according to S.R. 66:2015</p>	<p>Pass</p> <p>PIA2016-ST-PIT-1509-1050.01</p> <p>For wet ground conditions also, installation depth 1.68 m from inlet invert</p>	<p>Pass</p> <p>PIA2016-DH-1509-1050.01</p>
14		<p>Pass</p> <p>PIA2021-WD-2101-1002</p>	<p>Pass</p> <p>Range conformity according to S.R. 66:2015</p>	<p>Pass</p> <p>PIA2016-ST-PIT-1509-1050.01</p> <p>For wet ground conditions also, installation depth 1.68 m from inlet invert</p>	<p>Pass</p> <p>PIA2016-DH-1509-1050.01</p>
18		<p>Pass</p> <p>PIA2016-WD-1509-1050.01</p>	<p>Pass</p> <p>Range conformity according to S.R. 66:2015</p>	<p>Pass</p> <p>PIA2016-ST-PIT-1509-1050.01</p> <p>For wet ground conditions also, installation depth 1.68 m from inlet invert</p>	<p>Pass</p> <p>PIA2016-DH-1509-1050.01</p>

KLARO

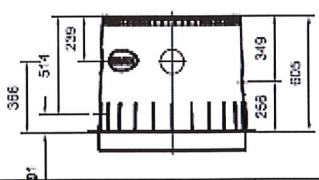
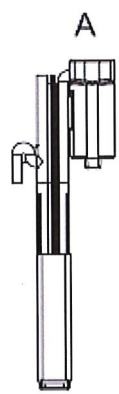
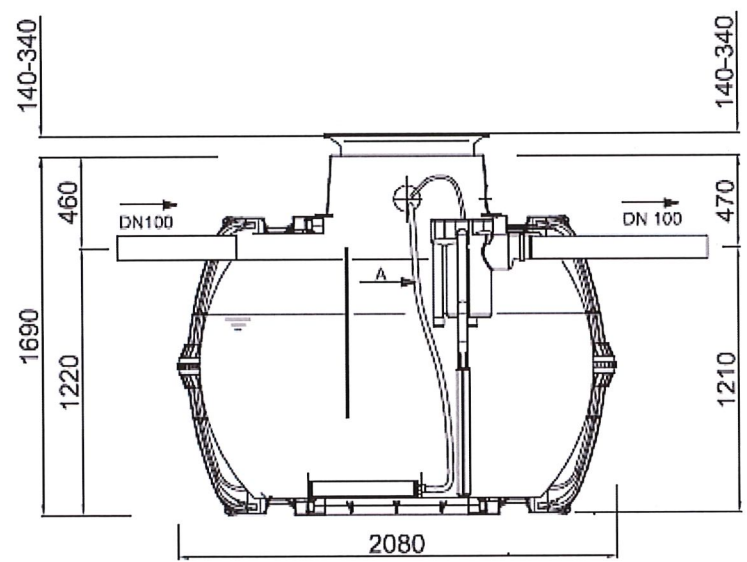
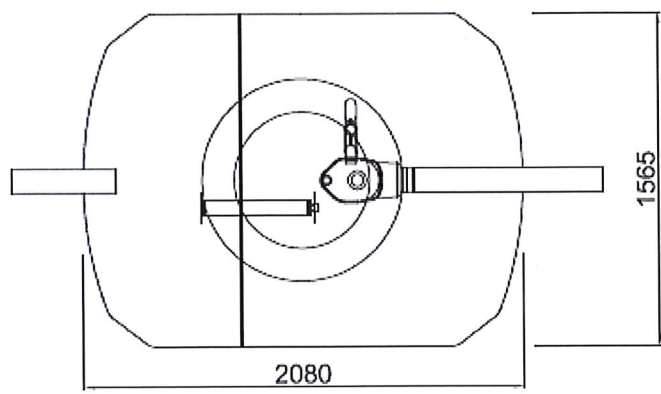
D Kleinkläranlage KLARO One 3 EW
Carat RS 2700 L

GB WWTP KLARO One 3 Inhab.
Carat RS 2700 L

ES

Artikel-Nr.
article no.

FR



Maxi Dom (optional)

- 330 mm höhere Einbautiefe
- 330 mm more excavation deep

KLARO GmbH
Spltzwegstrasse 63
DE-95447 Bayreuth
Germany
Info@klaro.eu
www.klaro.eu

Zelchnungsinformation
drawing information

gezeichnet
drawn |P|

Datum
date 19.04.2021

Toleranz
tolerance +/- 3 %

Artikelinformation
article information

Gewicht
weight

Alle Maßangaben in mm
all dimensions in mm

KLARO

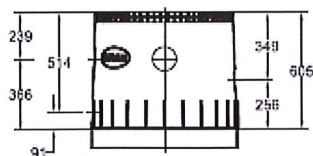
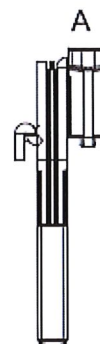
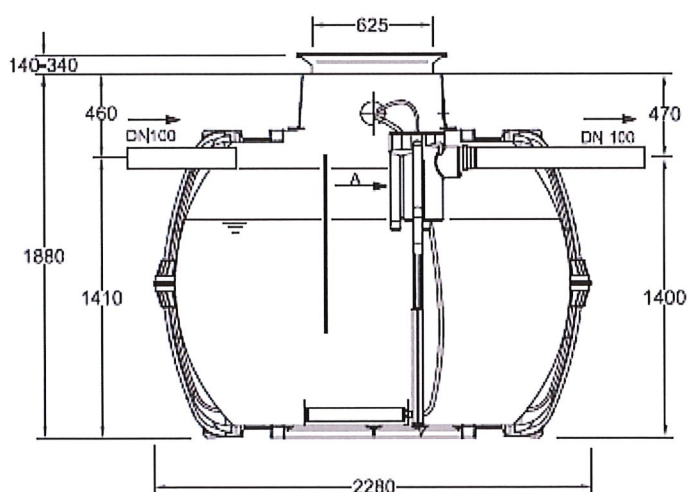
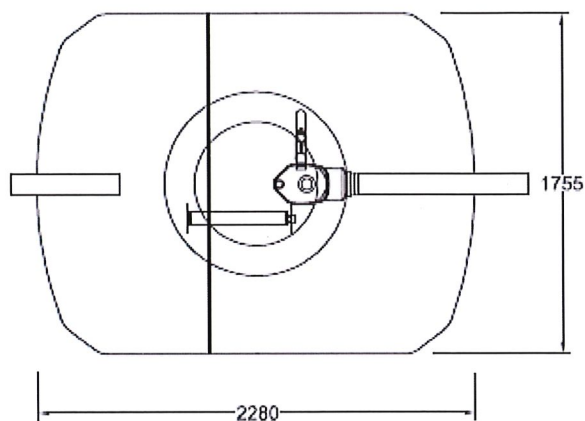
D Kleinkläranlage KLARO One 5 EW
Carat RS 3750 L

Artikel-Nr.
article no.

GB WWTP KLARO One 7 Inhab.
Carat RS 3750 L

ES

FR



Maxi Dom (optional)
 • 330 mm höhere Einbautiefe
 • 330 mm more excavation deep

KLARO GmbH
 Spitzwegstrasse 63
 DE-95447 Bayreuth
 Germany
 Info@klaro.eu
 www.klaro.eu

ZeichnungsInformation
 drawing Information

gezeichnet |PI|
 drawn
 Datum
 date 19.04.2021
 Toleranz
 tolerance +/- 3 %

ArtikelInformation
 article Information

Gewicht
 weight

Ale Maßangaben in mm
 all dimensions in mm

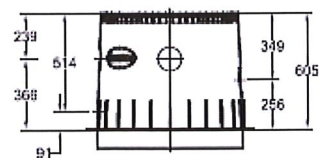
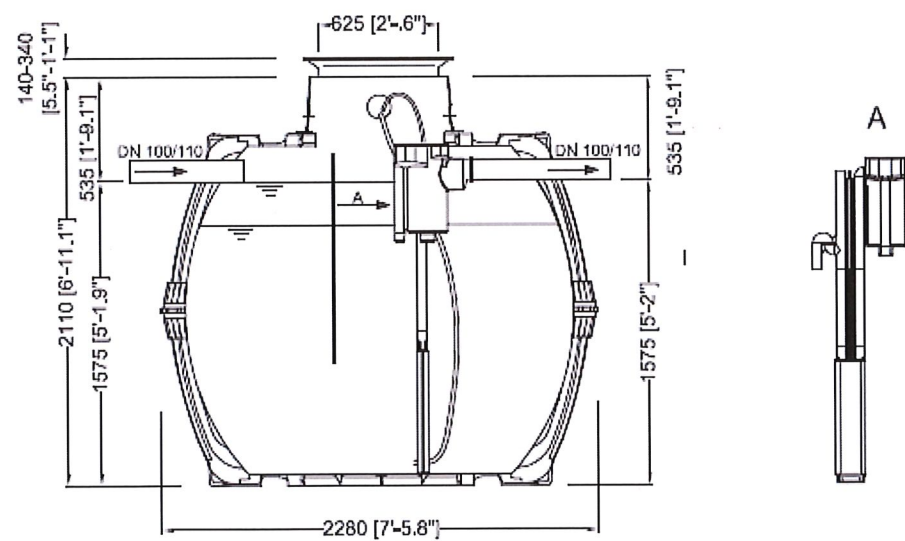
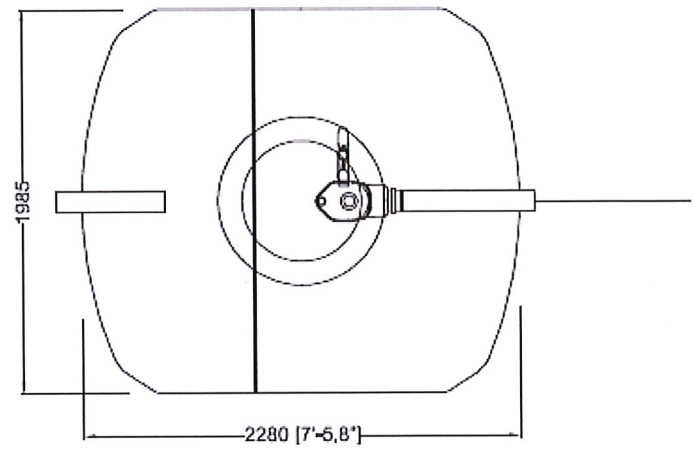
D Kleinkläranlage KLARO One 7 EW
Carat RS 4800 L

Artikel-Nr.
article no.

GB WWTP KLARO One 7 Inhab.
Carat RS 4800 L

ES

FR



Maxi Dom (optional)
 • 330 mm höhere Einbautiefe
 • 330 mm more excavation depth

KLARO GmbH
 Spitzwegstrasse 63
 DE-95447 Bayreuth
 Germany
 Info@klaro.eu
 www.klaro.eu

Zeichnungsinformation
 drawing information

gezeichnet drawn	P
Datum date	19.04..2021
Toleranz tolerance	+/- 3 %

Artikelinformation
 article information

Gewicht weight	Gewicht
-------------------	---------

Alle Maßangaben in mm
 all dimensions in mm

KLARO

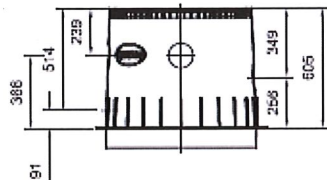
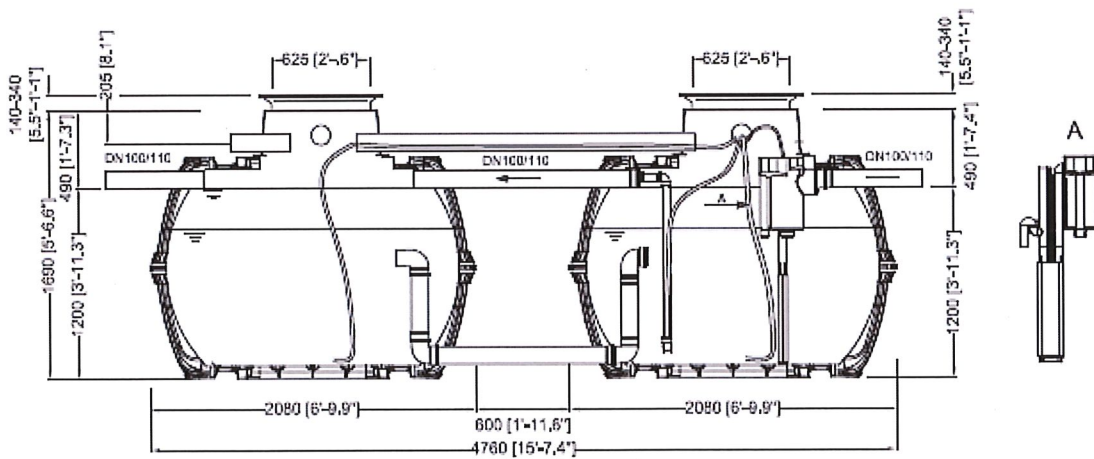
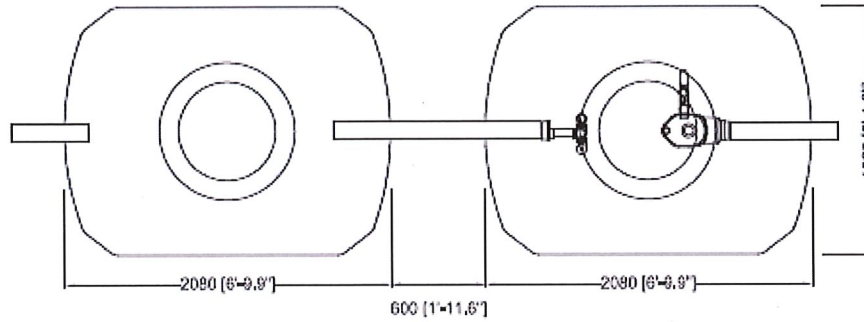
D Kleinkläranlage KLARO One 7 EW
2 x Carat RS 2700 L

GW WWTp KLARO One 7 Inhab.
2 x Carat RS 2700 L

ES

Artikel-Nr.
article no.

FR



Maxl Dom (optional)

- 330 mm höhere Einbautiefe
- 330 mm more excavation depth

KLARO GmbH Splzwegstrasse 63 DE-85447 Bayreuth Germany Info@klaro.eu www.klaro.eu	Zeichnungsinformation drawing information		Artikelinformation article information	
	gezeichnet drawn	PI	Gewicht weight	Gewicht
	Datum date	19.04.2021		
	Toleranz tolerance	+/- 3 %		
				Alle Maßangaben in mm all dimensions in mm

KLARO

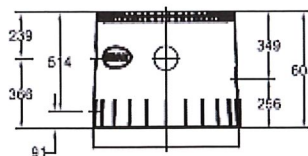
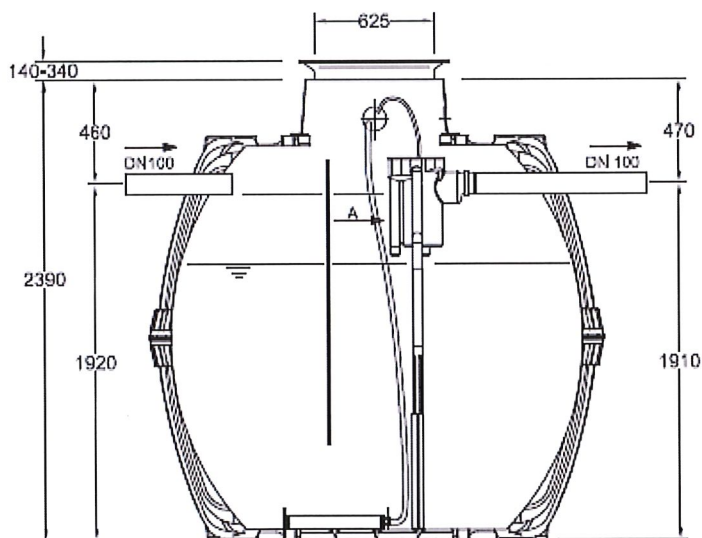
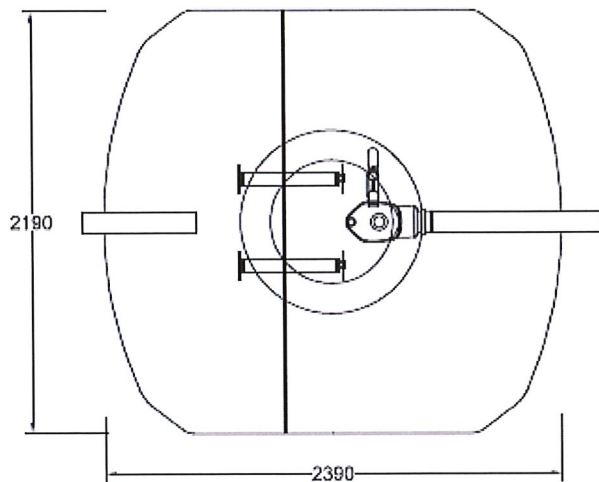
D Kleinkläranlage KLARO One 9 EW
Carat RS 6500 L

Artikel-Nr.
article no.

63 WTP KLARO One 9 Inhab.
Carat RS 6500 L

ES

FR



Maxi Dom (optional)

- 330 mm höhere Einbauleife
- 330 mm more excavation deep

KLARO GmbH

Spitzwegstrasse 63
DE-95447 Bayreuth
Germany
Info@klaro.eu
www.klaro.eu

ZeichnungsInformation
drawing Information

gezeichnet drawn	P
Datum date	19.04.,2021
Toleranz tolerance	+/- 3 %

ArtikelInformation
article Information

Gewicht weight	Gewicht
-------------------	---------

Ale Maßangaben in mm
all dimensions in mm

KLARO

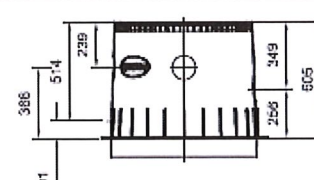
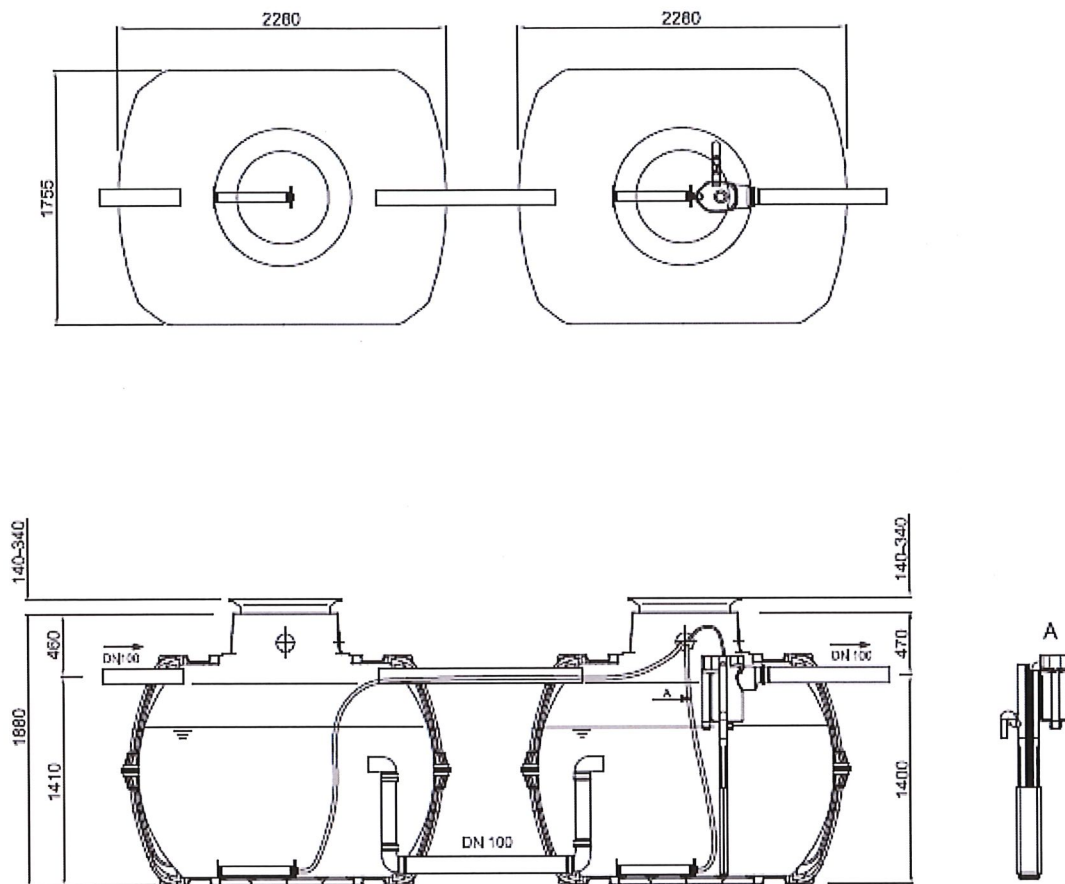
D Kleinkläranlage KLARO One 10 EW
2 x Carat RS 37500 L

Artikel-Nr.
article no.

GB WWTP KLARO One 10 Inhab.
2 x Carat RS 3750 L

ES

FR



Maxl Dom (optional)
 • 330 mm höhere Einbautiefe
 • 330 mm more excavation deep

KLARO GmbH Spitzwegstrasse 63 DE-95447 Bayreuth Germany Info@klaro.eu www.klaro.eu	Zeichnungsinformation drawing information		Artikelinformation article information		Alle Maßangaben in mm all dimensions in mm
	gezeichnet drawn	P	Gewicht weight	Gewicht	
	Datum date	19.04.2021			
	Toleranz tolerance	+/- 3 %			

KLARO

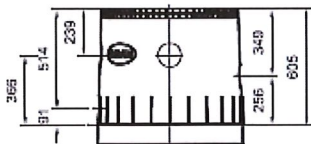
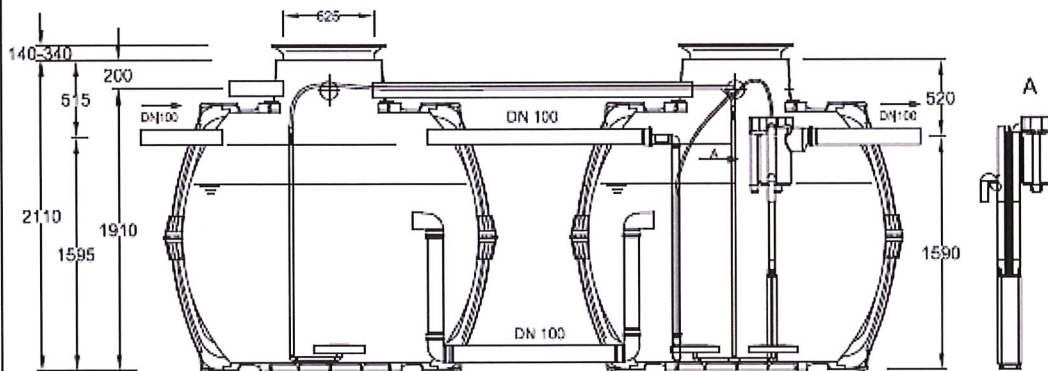
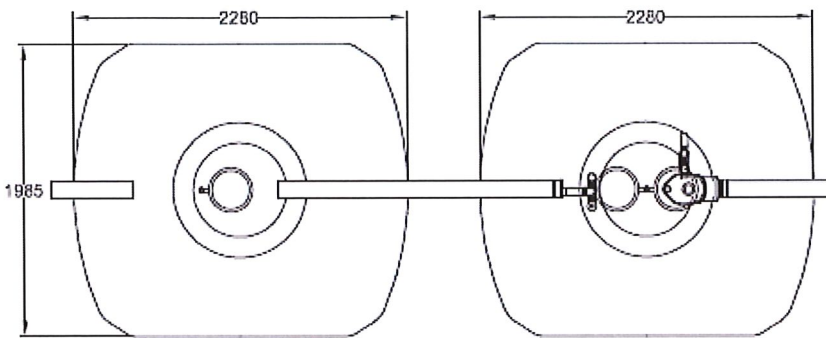
D Kleinkläranlage KLARO One 14 EW
2 xCarat RS 4800 L

Artikel-Nr.
article no.

GB WWTP KLARO One 14 Inhab.
2 x Carat RS 4800 L

ES

FR



Maxi Dom (optional)
 • 330 mm höhere Einbautiefe
 • 330 mm more excavation depth

KLARO GmbH
 Splzwegstrasse 63
 DE-95447 Bayreuth
 Germany
 Info@klaro.eu
 www.klaro.eu

ZelchnungsInformation
 drawing Information
 gezeichnet
 drawn |P|
 Datum
 date 19.04.2021
 Toleranz
 tolerance +/- 3 %

ArtikelInformation
 article Information
 Gewicht
 weight Gewicht

Alle Maßangaben in mm
 all dimensions in mm

KLARO

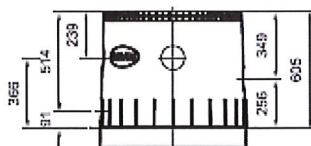
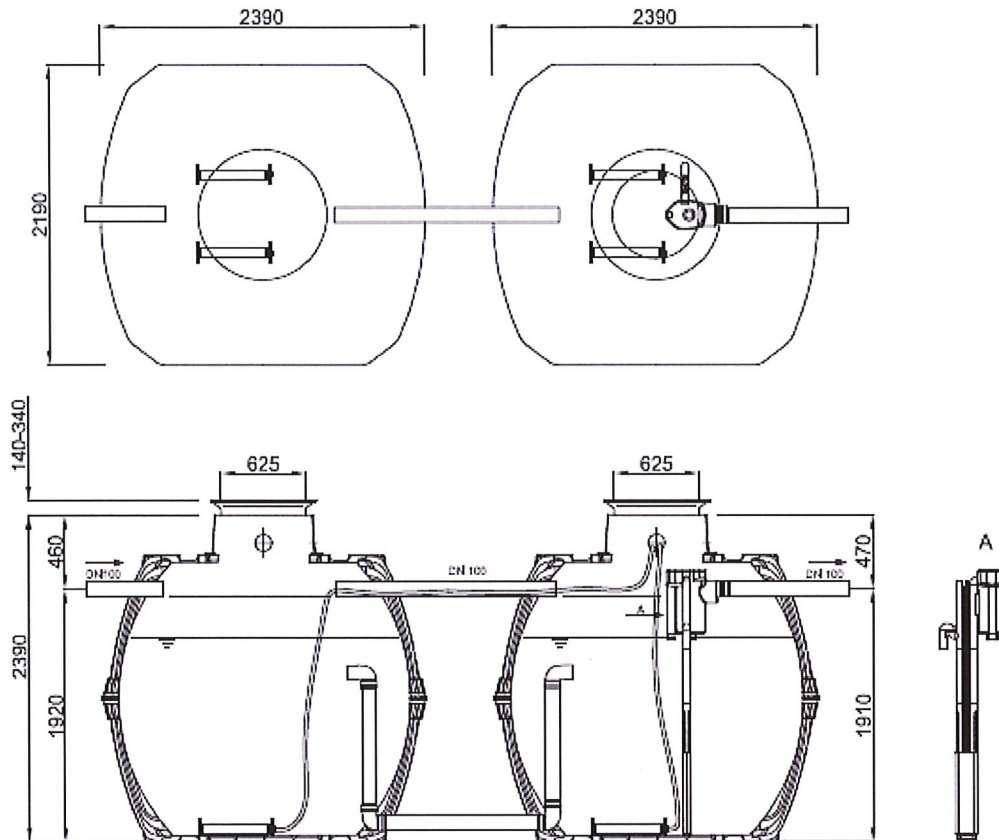
D Kleinkläranlage KLARO One 18 EW
2 x Carat RS 6500 L

Artikel-Nr.
article no.

GB WWTP KLARO One 18 Inhab.
2 x Carat RS 6500 L

ES

FR



Maxi Dom (optional)

- 330 mm höhere Einbautiefe
- 330 mm more excavation deep

KLARO GmbH
Spitzwegstrasse 63
DE-95447 Bayreuth
Germany
Info@klaro.eu
www.klaro.eu

Zeichnungsinformation
drawing information

gezeichnet
drawn | P |
Datum
date 19.04.2021
Toleranz
tolerance +/- 3 %

Artikelinformation
article information

Gewicht
weight Gewicht

Alle Maßangaben in mm
all dimensions in mm